

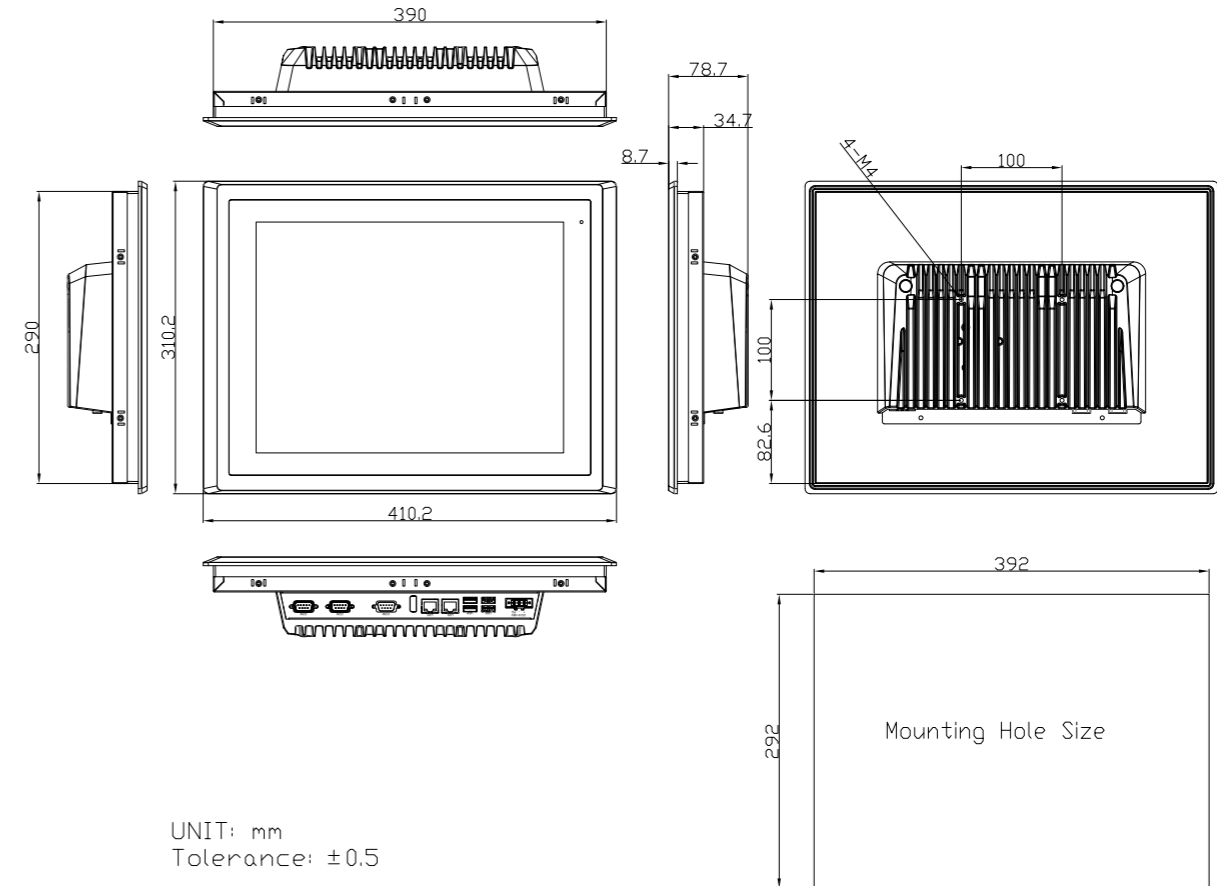
Features

- 15" Industrial Compact Size Panel PC
- Intel 12th Gen. i5-1235U, i3-1215U (Alder lake-P)
- Support 2 x DDR4 3200MHz SO-DIMM, Up to 32GB
- IP66 Compliant Aluminum Front Bezel
- Support Resistive touch screen and Projected Capacitive Multi-touch screen
- Support Auto-Dimming (for option)
- Support High Brightness LCD Version
- Fanless Design
- DC 9~36V Wide Range Power Input

Specifications

System	
CPU	Core i5-1235U (2P/8E/12T, P-core:4.4GHz, E-core:3.3GHz, 15W TDP) Core i3-1215U (2P/4E/8T, P-core:4.4GHz, E-core:3.3GHz, 15W TDP)
System Chipset	SoC
Memory	2 x DDR4 3200MHz SO-DIMM, up to 32GB
BIOS	AMI UEFI
I/O Port	
USB	2 x USB 3.2 Type A, 2 x USB 2.0 Type A
Serial / Parallel	1 x DB9 Type RS-485/422/232(COM1, BIOS selection, RS-232 is default) 1 x DB9 Type RS-485/422/232(COM2, BIOS selection, RS-232 is default) 1 x DB9 Type RS-232(COM3)
LAN	1 x RJ45 Type Intel I219LM GbE LAN 1 x RJ45 Type Intel I210AT, GbE LAN
Power	1 x Terminal Block Type, 9-36VDC Power input
Storage Space	
HDD/SSD	1 x M.2 Key-M Slot for NVME (PCIe, 2280)
Expansion	
Expansion slot	1 x M.2 Key-E Slot (Support WIFI+BT, 2230)(USB2.0, PCIe x1) 1 x M.2 Key-B Slot w/1 x Nano-SIM slot(Support 4G/5G, 3042/3052) (USB3.2 Gen.1 x1, PCIe x1(Default)/SATA, USB2.0)
Storage Space	
TPM	Onboard TPM2.0 SPI I/F TPM IC
Watchdog Timer	1~255 sec (system)
Wake on LAN	Support WOL
Display	
Display Type	Standard: 15" TFT-LCD High Brightness by SKU: 15" TFT-LCD
Max. Resolution	Standard: 1024 x 768 High Brightness by SKU: 1024 x 768
Max. Color	Standard: 16.7M High Brightness by SKU: 16.7M
Luminance (cd/m <sup>2</sup> )	Standard: 350 High Brightness by SKU: 1,000
View Angle	Standard: 178(H)/178(V) High Brightness by SKU: 176(H)/176(V)
Contrast	Standard: 1,000:1 High Brightness by SKU: 3,000:1
Backlight Lifetime	Standard: 50,000 hrs High Brightness by SKU: 70,000 hrs
Touch Screen	
Type	Resistive Touch (for DR Model) Projected Capacitive Touch (for DP Model)
Interface	USB
Light Transmission(%)	Resistive Touch: 80% / Projected Capacitive Touch: 90%
Power	
Power Input	DC 9~36V
Power Consumption	ARCHMI-S-915DP/R: 80W(Max)

Dimensions



Mechanical	
Construction	Aluminum Die-casting Chassis
Mounting	Panel Mount, VESA 100 x 100
IP Rating	IP66 Compliant Front Bezel
Dimensions (WxHxD)	410.2 x 290 x 78.7mm
Net Weight	5 kg
Environmental	
Operating Temperature	0~50°C / -20~60°C (w/ Industrial wide Temp. SSD/RAM)
Storage Temperature	-30~70°C
Humidity	10 to 95%@ 40°C, non-condensing
Certificate	CE/FCC Class A
Operating System Support	
Windows 10 IoT Enterprise 2021 LTSC	
Windows 11 (21H2) or later	
Linux 22.04 or later	
Ordering Information	
ARCHMI-S-915DP	15" XGA fanless HMI barebone with Intel i3-1215U/i5-1235U CPU, 2 x DDR4 slot, Projected Capacitive touch, 9~36V DC input with adapter, Aluminum chassis.
ARCHMI-S-915DR	15" XGA fanless HMI barebone with Intel i3-1215U/i5-1235U CPU, 2 x DDR4 slot, Resistive touch screen, 9~36V DC input with adapter, Aluminum chassis.
ARCHMI-S-915DPH	15" XGA High brightness fanless HMI barebone with Intel i3-1215U/i5-1235U CPU, 2 x DDR4 slot, Projected Capacitive touch, 9~36V DC input with adapter, Aluminum chassis.
ARCHMI-S-915DRH	15" XGA High brightness fanless HMI barebone with Intel i3-1215U/i5-1235U CPU, 2 x DDR4 slot, Resistive touch screen, 9~36V DC input with adapter, Aluminum chassis.