

# SP-151C-1N305

Industrial Fanless 15.6" Panel PC, w/ Intel® Alder Lake-N Core i3 Processor N-series



## Features

- Intel® Alder Lake-N Core i3-N305 Processor (8 Cores, Up to 3.8GHz)
- Aluminum alloy structure makes it light, firm and stable, and has better heat dissipation effect
- 15.6" inches LCD panel with LED backlight, front panel support IP66
- Industrial-grade 10 points project capacitive touch screen
- Support Mini-PCIe/M.2 extension of multiple modules
- Support 2 x 2.5GbE LAN ports
- Wide voltage 12~36V DC-IN, lockable phoenix connector
- Support remote ON-OFF
- Grounding protection for product shell
- Support 1 x 2.5 inch HDD/SSD expansion
- Support standard VESA and panel mount



HDMI



Over-Voltage Protection



USB 3.1



-10~60°C



Wide Voltage Range



Reversed Power Insertion Protection

## System

CPU	Intel® Core™ i3-N305 Processor (6M Cache, 8 Cores, Up to 3.8GHz)
Memory	Single Channel, 1 x DDR5 4800 MHz SO-DIMM, up to 16 GB
Graphics	Intel UHD Graphics 16 EUs
LAN Chipset	2 x Intel® I226-V 2.5GbE controller
Watchdog Timer	Programmable 255 levels timer interval, from 1~255 sec/min

## Storage

Device	1 x M.2 M-Key for 2242/ 2280 PCIEX4
--------	-------------------------------------

## Audio

Type	1 x Audio(Line-out&Mic-in 2 in 1), Realtek® ALC888S HD Audio codec
Speaker	4Ω3W speaker x 2

## LCD Display

Size/Type	15.6 inches
Max. Resolution	1920 x 1080
Ratio	16:9
Luminance	350 nits
Contrast Ratio	800:1
Backlight	LED Backlight
Backlight Lifetime	50000 Hrs
Touch Type	P-cap Multi-Touch
Touch	35,000,000 times
View Angle	CR ≥ 10, 89° (T)/89° (B)/89° (L)/89° (R)

## Power System

Power Input	12~36VDC 1 x Power Connector (2P Phoenix)
-------------	--

## OS

Windows 10, Linux

## Qualification

Certification	CE, FCC
---------------	---------

## External I/O

Serial Ports	1 x RS232/422/485 (COM1) 1 x RS232/RS485(Jumper)-COM2, 1 x RS232 COM3
USB Ports	2 x USB 3.1, 2 x USB 2.0
LAN	2 x RJ45
Video Ports	1 x HDMI (up to 4K resolution)
Remote On-Off	1 x Remote ON-OFF (SW)

## Internal I/O

Expansion	1 x Mini-PCIe slot (PCIe signal supported) 1 x M.2 Key-E 2230 slot (WiFi supported) 2 x RS232, 2x USB2.0--For Touch 1x 8bit GPIO 3.3V(jumper)/5V(default) power
-----------	--

## Mechanical

Front Panel	Aluminum
Heat-Sink	Aluminum
Rear Cover	SECC
Reset button	1 x OS reset
Power button	1 x Power button W/LED
Mounting Type	Panel Mount, Wall and VESA-mount (75 x 75mm)
Dimension (W x H x D)	395(W) x 245.5(H) x 66(D)mm
Cut out	387 x 237.5mm
Weight (Net)	3.5 Kg
Ingress Protection	Front panel IP66

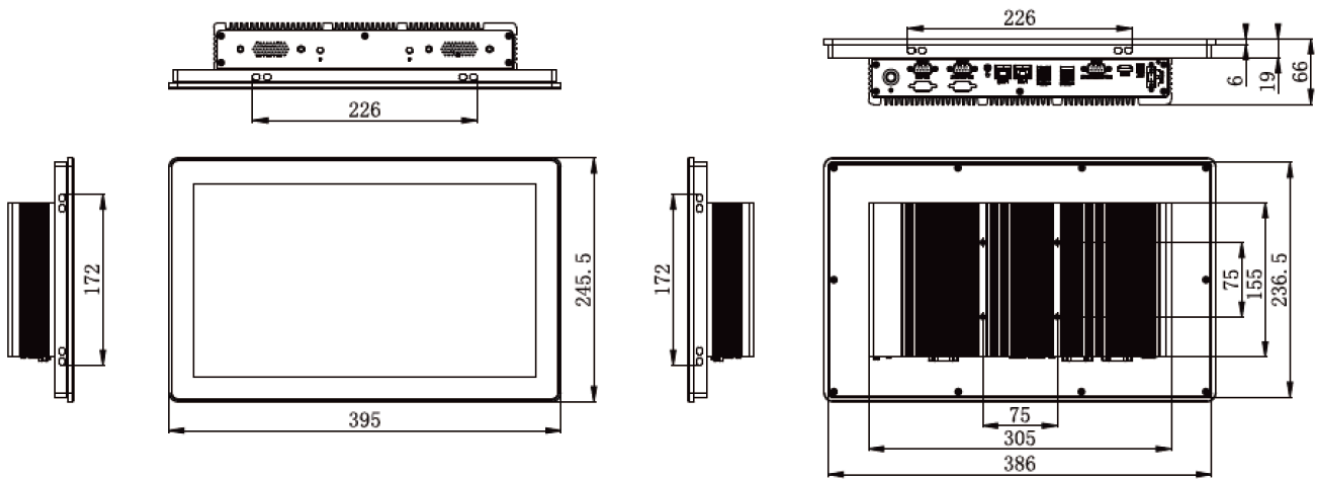
## Environmental

Operating Temp.	-10 ~ 60°C(SSD), -0 ~ 40°C(HDD)
Storage Temp.	-40 ~ 70°C
Operating Humidity	5 ~ 95% (non-condensing)
Random Vibration	5~500Hz, 2Grms operation(SSD) 5~500Hz, 1Grms operation(HDD)
Sine Vibration	5~500Hz, 2G Non-operation
Shock	10g 11ms operation, 30g 11ms Non-operation

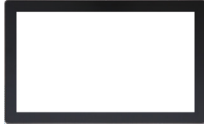
\*CTOS means Configure-to-Order Service.

# SP-151C-1N305

## Dimensions



## Ordering Information

SP-151C-1N305	Barebone 15.6"(16:9) Panel PC, with Intel® Core™ i3-N305 Processor, HDMI*1, USB*4, LAN*2, COM*4, DC12~36V power input	
SP-151C-1N305-R4S128	15.6"(16:9) Panel PC with 4GB RAM & 128GB SSD, Intel® Core™ i3-N305 Processor, HDMI*1, USB*4, LAN*2, COM*4, DC12~36V power input	
PAC-120W-FSP-SPA R1.0	AC/DC ADAPTER KIT (W/UKCA),19V,120W,2 WIRE w/ USA POWER CORD	
PAC-120W-FSP-SPA R1.1	AC/DC ADAPTER KIT (W/UKCA),19V,120W,2 WIRE w/ EU POWER CORD	
PAC-120W-FSP-SPA R1.2	AC/DC ADAPTER KIT (W/UKCA),19V,120W,2 WIRE w/ UK POWER CORD	
PAC-120W-FSP-SPA R1.3	AC/DC ADAPTER KIT (W/UKCA),19V,120W,2 WIRE w/ IN POWER CORD	