



Features

- Industrial Display
- Flat front panel touch screen
- Fanless design
- Wide range DC 9~36V power input
- IP66 compliant front panel / IP69K (option)
- VGA/DVI-D/HDMI/DP input
- System power LED light
- High Brightness LCD and Auto Dimming for option
- Support protective AR glass for option (non-touch version)

Specifications

I/O Port

VGA	1 x VGA
DVI	1 x DVI-D
DP	1 x DP
HDMI	1 x HDMI
Audio	1 x Audio line-in phone jack
OSD Control Membrane	OSD on rear side On board controller, extendable key pad from connector
Power	1 x 3 pins terminal block for DC power input
Others	1 x USB type A for touch control Optional I/O: 1 x Speaker 1 x RS-232 DB-9 for touch control

Standard LCD

Display Type	17" TFT-LCD
Max. Resolution	1280 x 1024
Max. Color	16.2M
Luminance (cd/m ²)	350
View Angle	170(H) / 160(V)
Contrast Ratio	1000:1
Backlight Lifetime	30,000 hrs

High Brightness LCD (option)

Display Type	17" TFT-LCD
Max. Resolution	1280 x 1024
Max. Color	16.7M
Luminance (cd/m ²)	1000
View Angle	170(H) / 160(V)
Contrast Ratio	1000:1
Backlight Lifetime	50,000 hrs

Power

Power Input	DC 9~36V
Power Consumption	MAX: 11.6W (117AR) MAX: 27.3W (117AP)

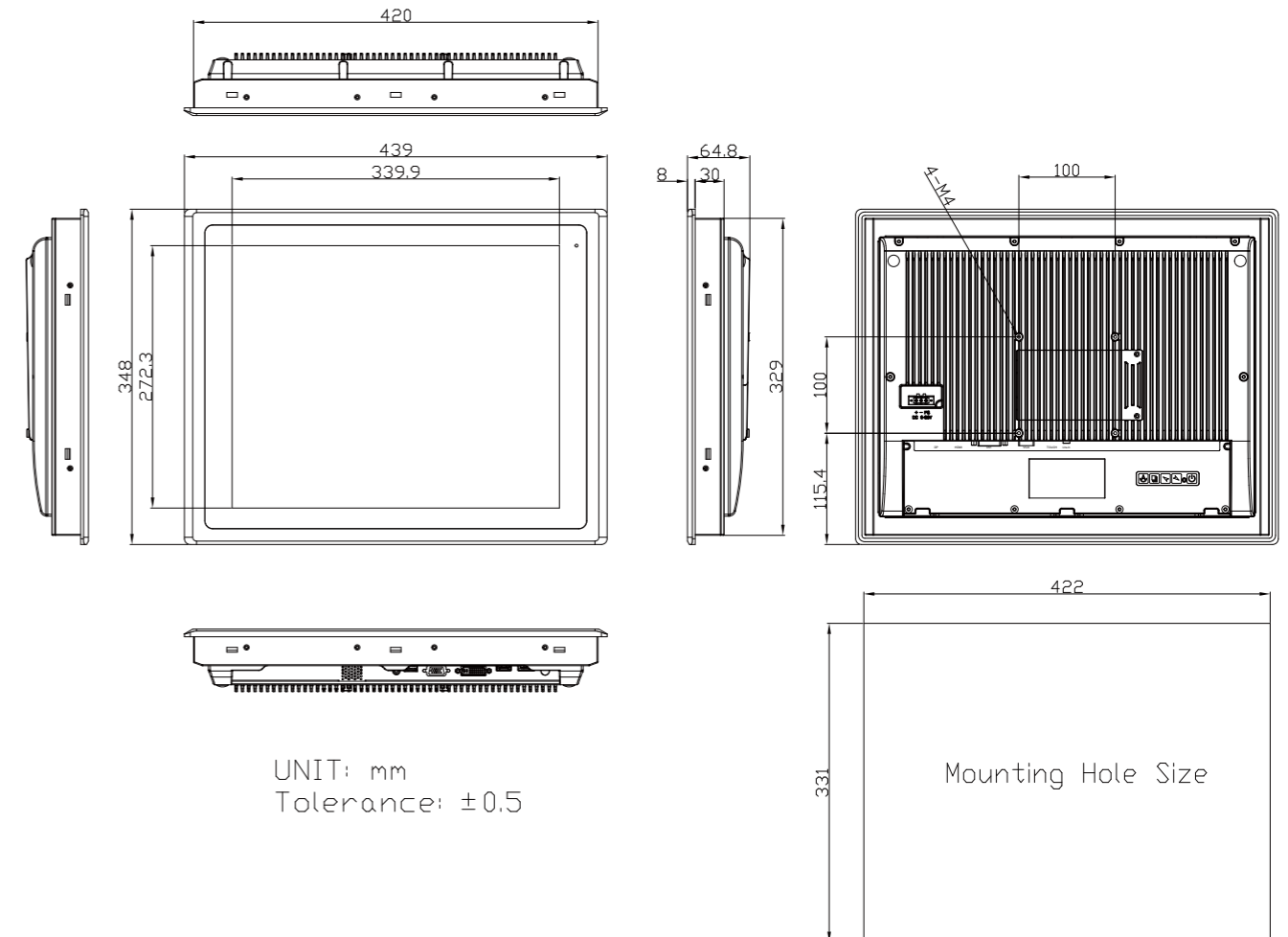
Touch Screen – Resistive Touch Window Type (Default)

Interface	USB default RS-232 for option
Light Transmission	Over 80%

Touch Screen – Projected Capacitive Type (Option)

Interface	USB
Light Transmission	Over 90%

Dimension



Mechanical

Construction	Aluminum chassis
Chassis Color	RAL 9007
Mounting	Panel Mount / VESA Mount 100 x 100
IP Rating	IP66 compliant front panel / IP69K (option)
Dimension	439 x 348 x 64.8 mm
Net Weight	5.9 Kg

Environmental

Operating Temperature	0~50 °C
Storage Temperature	-30~70 °C
Storage Humidity	10 to 90% @ 40°C, non-condensing
Certificate	CE/FCC Class A

Ordering Information

ARCDIS-117AR-01	17" SXGA FPD Industrial display, Resistive touch window, VGA, DVI-D, HDMI, and DP input, 5 keys Rear OSD, DC 9~36V power input with adapter, Aluminum Chassis
ARCDIS-117AP-01	17" SXGA FPD Industrial display, Projected Capacitive touch screen, VGA, DVI-D, HDMI, and DP input, 5 keys Rear OSD, DC 9~36V power input with adapter, Aluminum Chassis