


JAKA Zu® 18 Cobot

 **Weight : 34.8 kg**

 **Loading : 18 kg**

 **Working radius : 1073 mm**

 **Repeatability : ± 0.03 mm**

Product Features

- Higher Payload
- Higher Security
- High Cost-Effective

Recommended Markets

Automotive and related , Metal processing ,
Injection molding , Medical equipment



Wireless connection

No need of traditional teaching device



Safety collaboration

Built-in torque feedback detection



Graphic programming

Easy use for zero basis



Open Cooperation

Compatible with ROS operating system



Integrated Joints

Easy to disassemble and transport

Technical Parameter

Character

Payload	18kg
Weight (W cable)	34.8kg
Work radius	1073mm
Repeatability	±0.03mm
Axis	6
Programming	graphical programming, free-drive
Teach pendant	MT (PAD/Mobile) APP
Collaborative operation	Accordance with GB11291.1-2011
Power	600W
Temperature range	0-50°C
IP Specification	IP54
Installation	Installation at any Angle
Tool I/O	Digital input 2 Digital output 2 Analog input 1
Tool I/O power	24V
base diameter	M8
Materials	188mm
Tool I/O size	aluminum, PP
Cable length	6m

Scope and speed *

Robot	Work scope	Max speed
Joint 1	±270°	120°/s
Joint 2	-85°, +265°	120°/s
Joint 3	±175°	180°/s
Joint 4	-85°, +265°	180°/s
Joint 5	±270°	180°/s
Joint 6	±270°	180°/s
Max speed	/	3.5m/s

*When moving within the joint limit, interference may occur due to end tools or installation environment. Please determine the range of motion according to the actual situation.

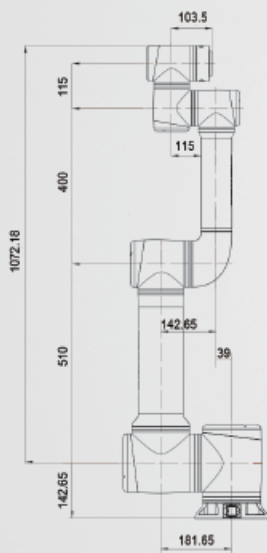


Control Cabinet

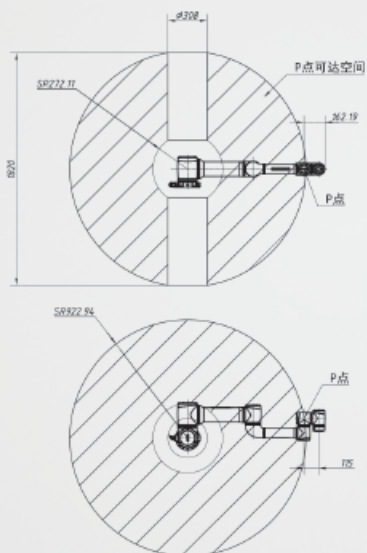
IP Specification	IP20
Tool I/O	16 Digital input/16 Digital output /2 Analog input or output
I/O Power	24V
communication	TCP/IP, Modbus, TCP/RTU
power	100-240VAC, 50-60Hz
size	400×230×260(mm) (W×H×D)
weight	15.5kg
material	Stainless steel



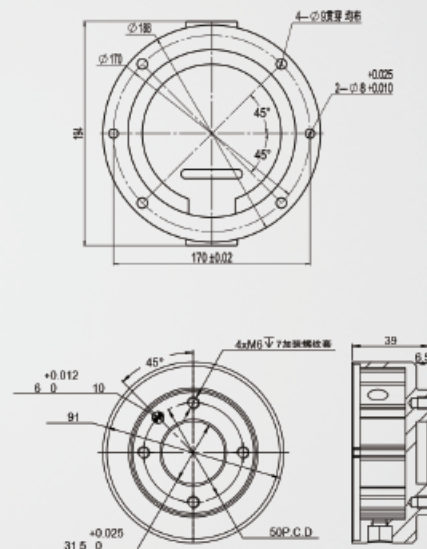
JAKA Zu 18 Layout



JAKA Zu 18 work radius



JAKA Zu 18 P point front view / top view



JAKA Zu 18 base / flange

Shanghai JAKA Robotics Ltd

Address : Room 301, Building 6, No. 555, Dongchuan Road, Minhang District, Shanghai, China

Tel : 400-006-2665 Email : marketing@jaka.com Web : www.jaka.com

All rights reserved by JAKA. Reproduction in whole or part without written permission is prohibited. All warranty information, product functions and specifications are subject to the change without notice.

