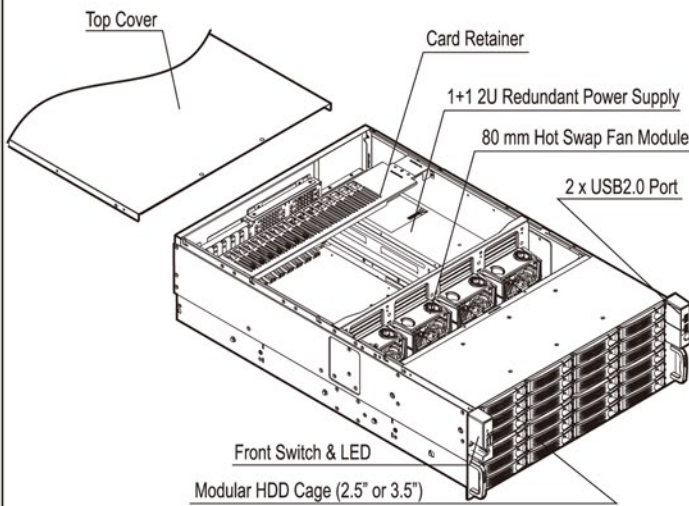


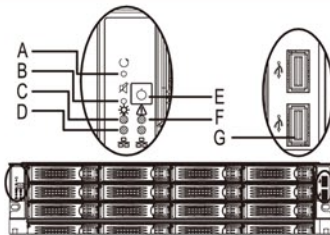
RM418 QUICK INSTALLATION GUIDE

Major Components

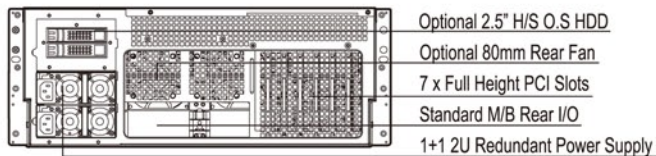


Front Panel Controls and Indicators

- A. System Reset Button
- B. Alarm Mute Button
- C. Power LED
- D. LAN1 & LAN2 Activity LED
- E. Power Button
- F. System Failure LED
- G. USB 2.0 Port

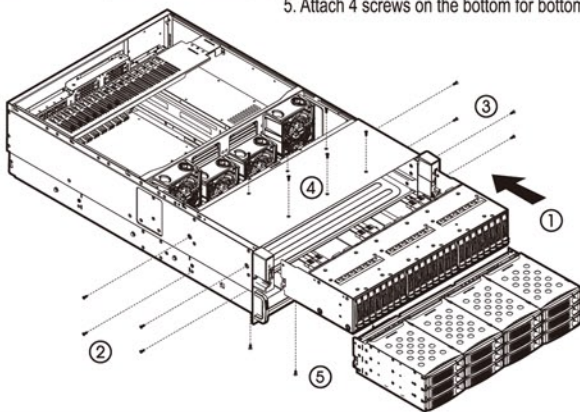


Rear Window Configuration



Installing HDD Cage (2.5" or 3.5")

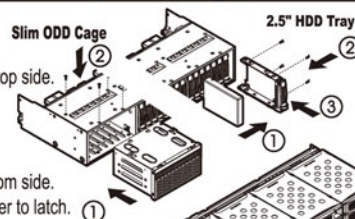
1. Push-in modular HDD Cage until fasten.
2. Attach 4 screws on the left side (two for upper cage, two for bottom cage)
3. Attach 4 screws on the right side (two for upper cage, two for bottom cage)
4. Attach 6 screws on the top for upper cage.
5. Attach 4 screws on the bottom for bottom cage.



Installing Hard Disk & Slim ODD Cage

Slim ODD Cage

1. Slide-in the slim ODD cage.
2. Attach 4 screws to fix the cage on the top side.



2.5" HDD Tray

1. Insert HDD on the tray.
2. Attach 4 screws to fix HDD on the bottom side.
3. Slide-in the HDD tray and push the lever to latch.

3.5" HDD Tray

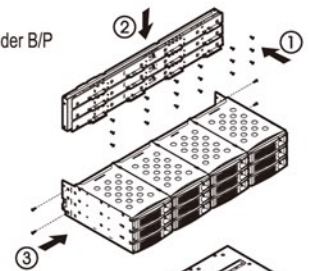
1. Insert HDD on the tray.
2. Attach 4 screws to fix HDD on the both sides.
3. Slide-in the HDD tray and push the lever to latch.



Installing Backplane

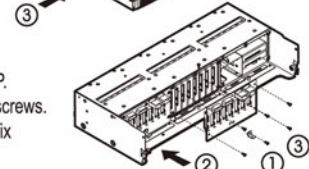
3.5" 12-bay backplane

1. Attach 3 pcs Mini-SAS B/P or 1 pcs SAS Expander B/P with screws on the bracket.
2. Insert backplane module all the way.
3. Attach 4 screws to the backplane module on the both sides.



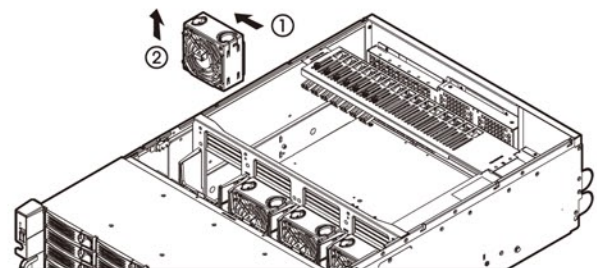
2.5" 24-bay backplane

1. Attach "L" shape bracket with screws on the 3 pcs Mini-SAS B/P or 1 pcs SAS Expander B/P.
2. Install backplane on the rear side of cage with screws.
3. Attach one screws on the "L" shape bracket to fix on the cage.



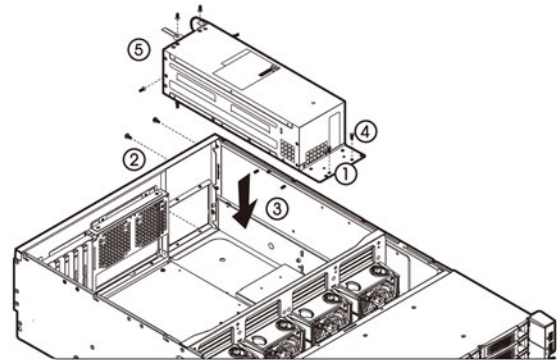
Removing Hot Swappable Fan Module

1. Move the finger latch by arrow direction to release the hook
2. Pull up the whole fan module directly to disconnect the fan power source.



Installing Power Supply

1. Pre-install the front side power bracket on the PSU (near harness side)
2. Pre-install the rear side power bracket on the rear window by 4 screws.
3. Install PSU onto chassis bottom until mounting hole aligned.
4. Attach screws to fix the front side power bracket.
5. Attach screws to fix the PSU onto rear side power bracket.



Installing Card Retention

1. Install retention supporter bracket on the each side of chassis.
2. Attach 2 screws to fix retention supporter bracket on the each side of chassis.
3. Install card retention to align with retention supporter bracket.
4. Attach one screw to fix this retention

