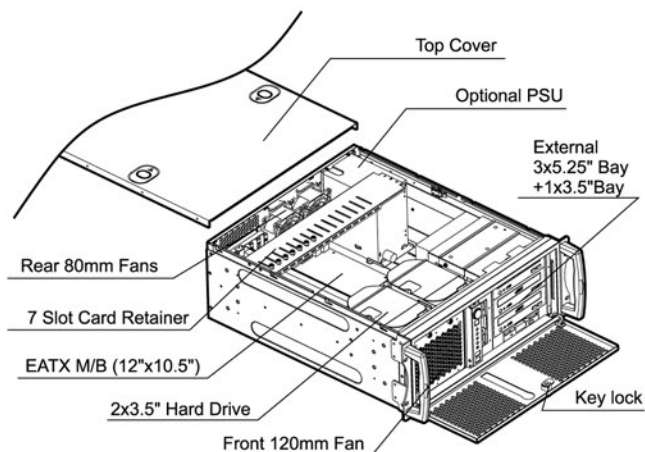
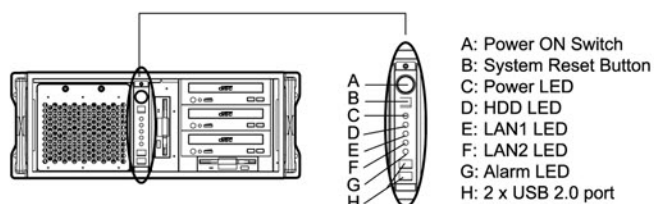


# RM42200 QUICK INSTALLATION GUIDE

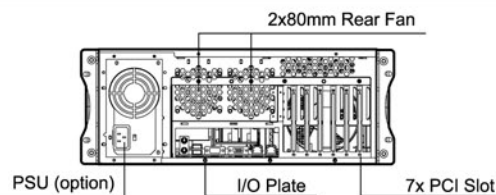
## Major Components



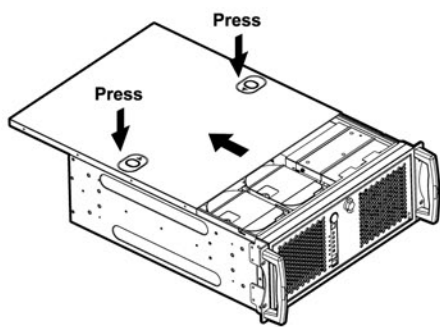
## Front Panel Controls and Indicators



## Rear Window Configuration

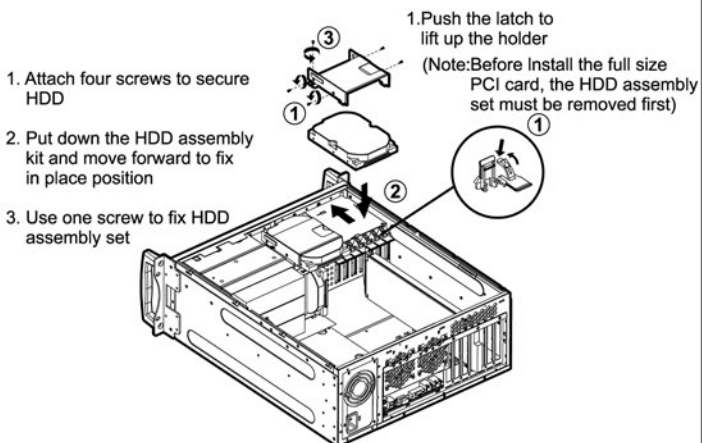


## Top Cover Opening

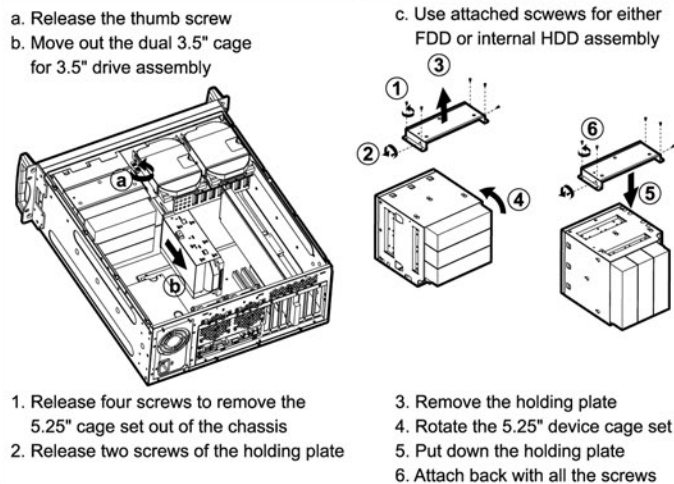


**CAUTION**  
 This unit must be operated with the chassis TOP COVER installed to ensure proper cooling

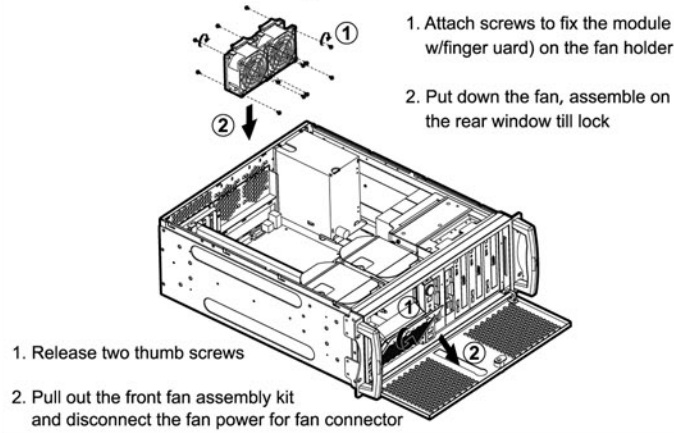
## Installing Hard Drive



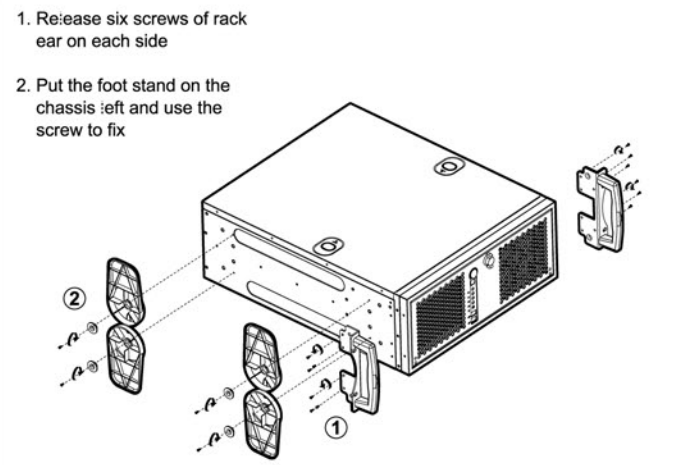
## External 5.25" HDD Cage Assembly



## Fan Module Assembly



## Pedestal Foot-stand Installation



## Pedestal Top handle Installation

