



Features

- 24" New Generation Stainless Steel Display
- True Flat Front Bezel Design and Grade 304 Stainless Steel Enclosure (Grade 316 for Option)
- IP66/IP69K Rated with M12 Connectors
- Support Projected Capacitive Touch and Glass
- Touch on/off Button on the Side Edge for Hygienic Cleaning
- Support Ergonomic Versatile Mounting: Yoke Mounting / Space-saving VESA 100 mm Mounting

Specifications

Outside I/O Port- Standard M12 I/O Connector on the rear	
USB	1 x M12 VGA by 12-pin cable with waterproof cover and chain
HDMI	1 x W.F. HDMI with waterproof cover and chain
Touch	1 x M12 for USB touch with waterproof cover and chain
Power	1 x Power input 1 x Touch on/off button on the side
OSD Control Membrane	OSD on the rear side
Speaker	1 x 2W IP65 speaker (optional)

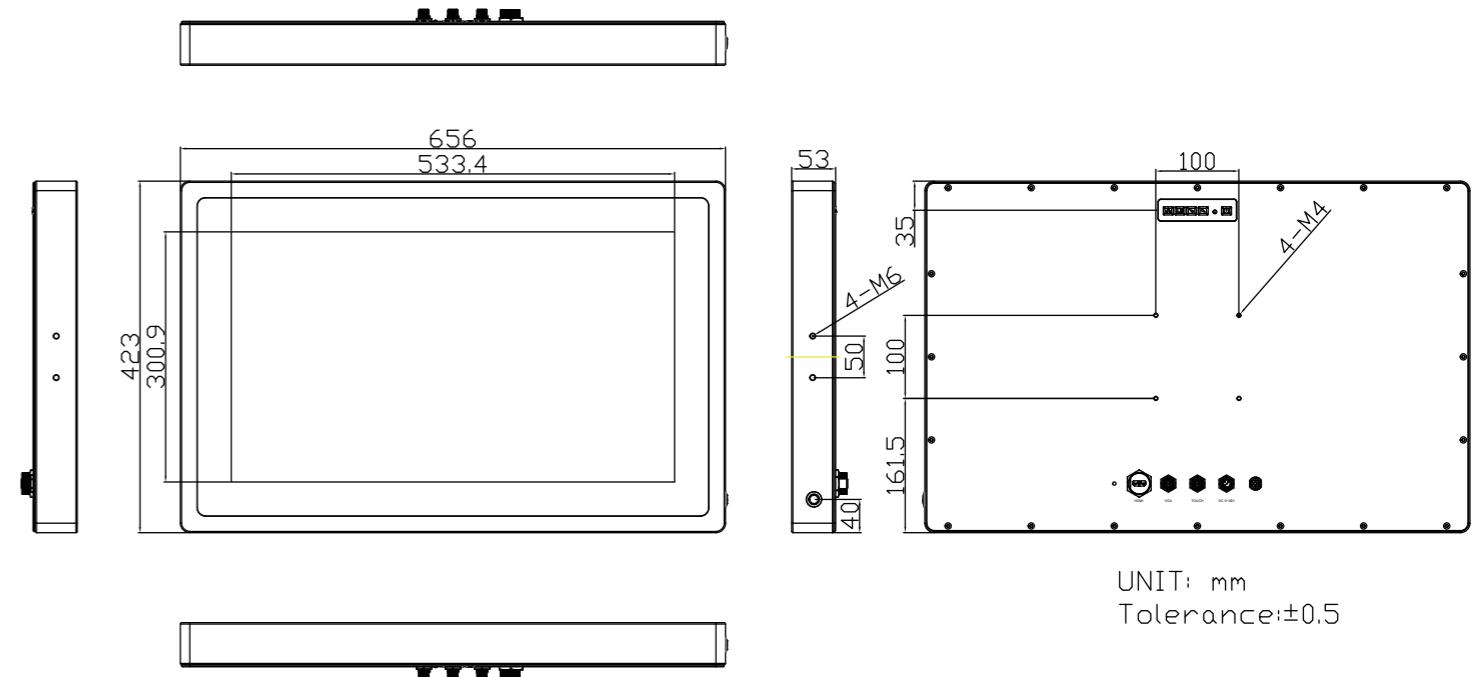
Display	Standard	High Brightness optional
Display Type	24" color TFT LCD	24" color TFT LCD
Max. Resolution	1920 x 1080	1920 x 1080
Max. Color	16.7M	16.7M
Luminance (cd/m ²)	250	1000
View Angle	178(H) / 178(V)	178(H) / 178(V)
Contrast	3000: 1	5000:1
Backlight Lifetime	30,000 Hrs	50,000 Hrs
Option	Optical Boading	Optical Boading

Touch Screen	Projected Capacitive	Glass
TS Control IC	Chip on tail	NA
Interface	USB interface	AR/AG(option)
Light Transmission	Over 90%	Over 90%

Power	
Power input	9~36V DC
Power Consumption	MAX: TBD (124R) / MAX: 26.4W (124P)

Mechanical	
Color	304 Stainless Steel Enclosure (Default) 316 Stainless Steel Enclosure (Optional)
Construction	Stainless steel enclosure
Mounting	VESA mount 100 x 100, Yoke mount
IP Rating	IP66/IP69K
Dimension	656 x 423 x 53 mm
Net Weight	12 Kg

Dimensions



Environmental	
Operating temperature(°C)	0~50°C
Storage temperature(°C)	-30°C~70°C
Storage humidity	10 to 90% @ 40°C, non-condensing
Certification	CE/FCC class A

Ordering information	
VITAM-124P-01	24"/1920x1080/S.S./N2930/4G/32GMLC SSD/PCT/9~36V/w ADP
VITAM-124G-01	24"/1920x1080/S.S./N2930/4G/32GMLC SSD/GLASS/9~36V/w ADP
VITAM-124PH-01	24"/1920x1080/1000NITS/S.S./N2930/4G/32GMLC SSD/PCT/9~36V/w ADP
VITAM-124GH-01	24"/1920x1080/1000NITS/S.S./N2930/4G/32GMLC SSD/GLASS/9~36V/w ADP